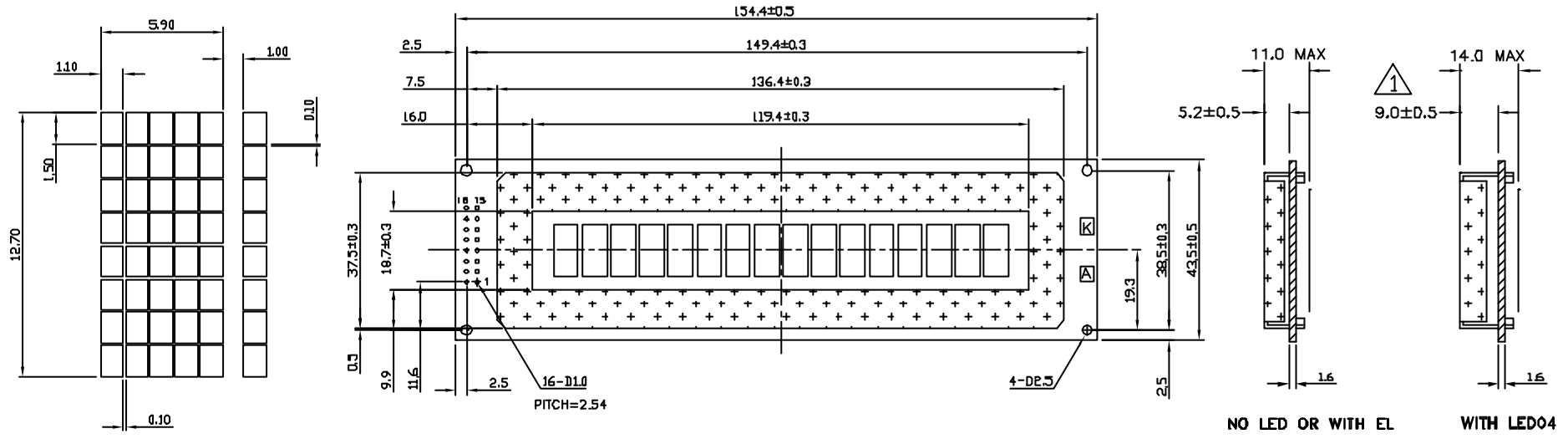
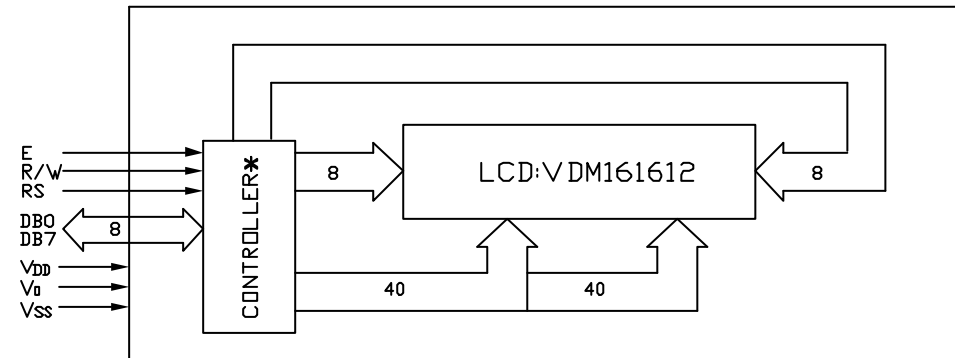


ISSUE	AMENDMENT	DATE
⚠	CHANGE DIMENSION	01.08.17



14 PIN CONNECTION	1	2	3	4	5	6	7	8	9	10	11	12	13	14	A	K
16 PIN CONNECTION	1	2	3	4	5	6	7	8	9	10	11	12	13	14	15	16
	VSS	VDD	V0	RS	R/W	E	DB0	DB1	DB2	DB3	DB4	DB5	DB6	DB7	LED(+)	LED(-)



*NT3881DH OR EQUIVALENT
 *ELECTRICALLY CONFIGURED AS
 8 CHARACTERS X 2 LINES

TITLE: SPECIFICATION OF MODULE			
PROJECT NO: MDLS161612D			
TOLERANCE UNLESS OTHERWISE SPECIFIED:		X.X ±0.3 X.XX ±0.1	
DIMENSIONS IN MM		FINISH:	
MATERIAL:		THICKNESS:	
SCALE: DO NOT ON SCALE		THIRD ANGLE PROJECTION	
		⌀	
DRAWN	NAME	SIGN	DATE
CHECKED	PAN WU		01.08.17
APPROVED	CHARM		
	K.P. HO		
ITEM NO. MDLS161612D-XX			
DESCRIPTION: MDLS161612D			
FILE NO: MDLS161612D-XX			REV 1
SHEET 1		OF 1	